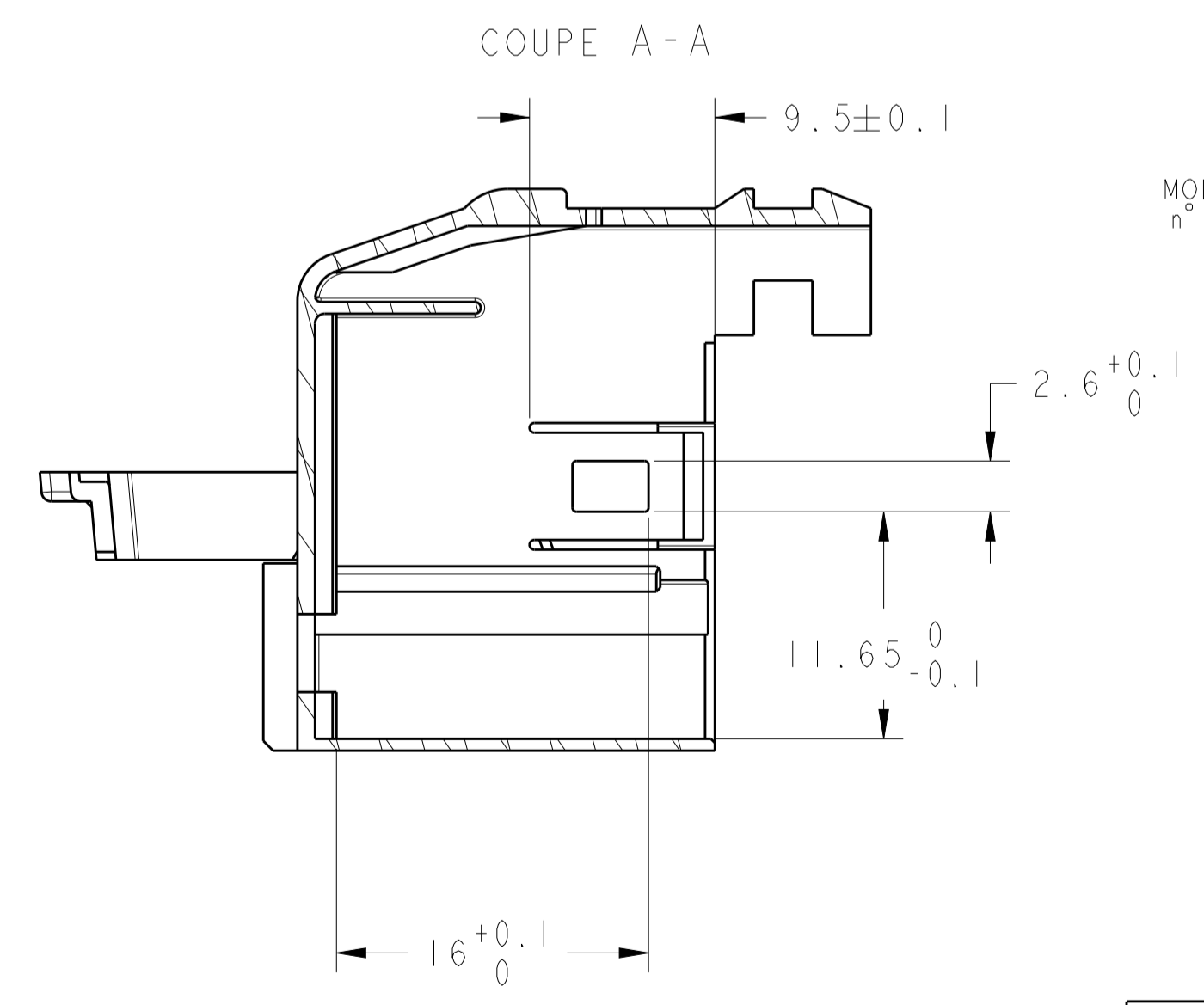
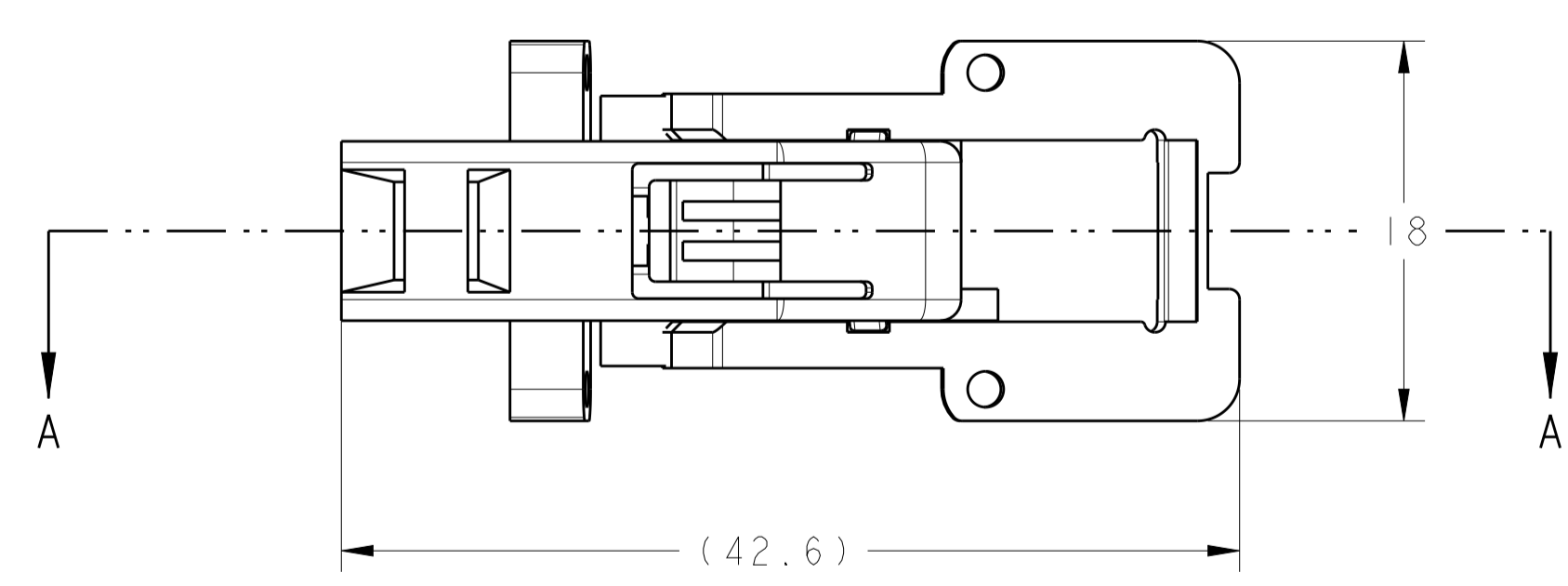
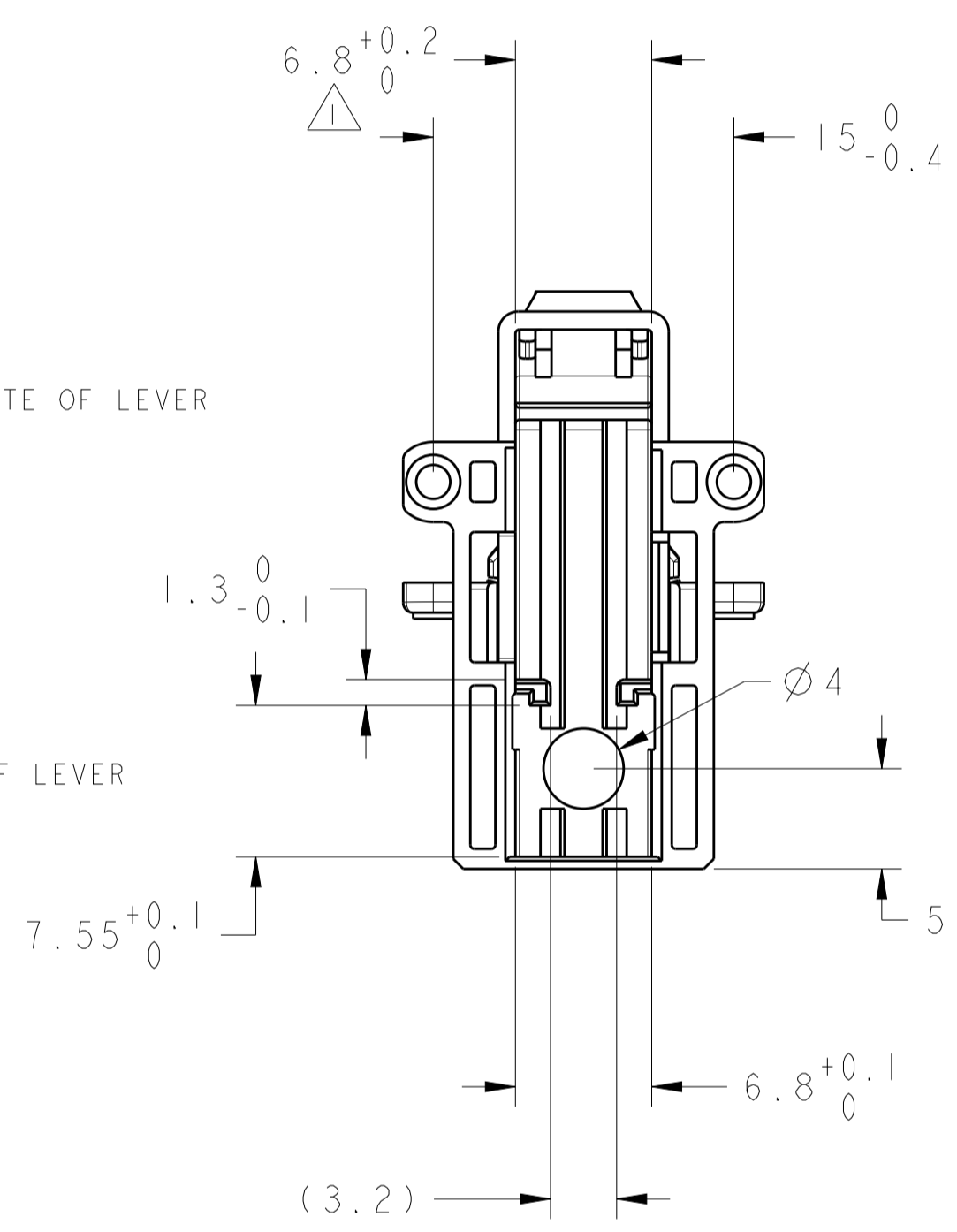
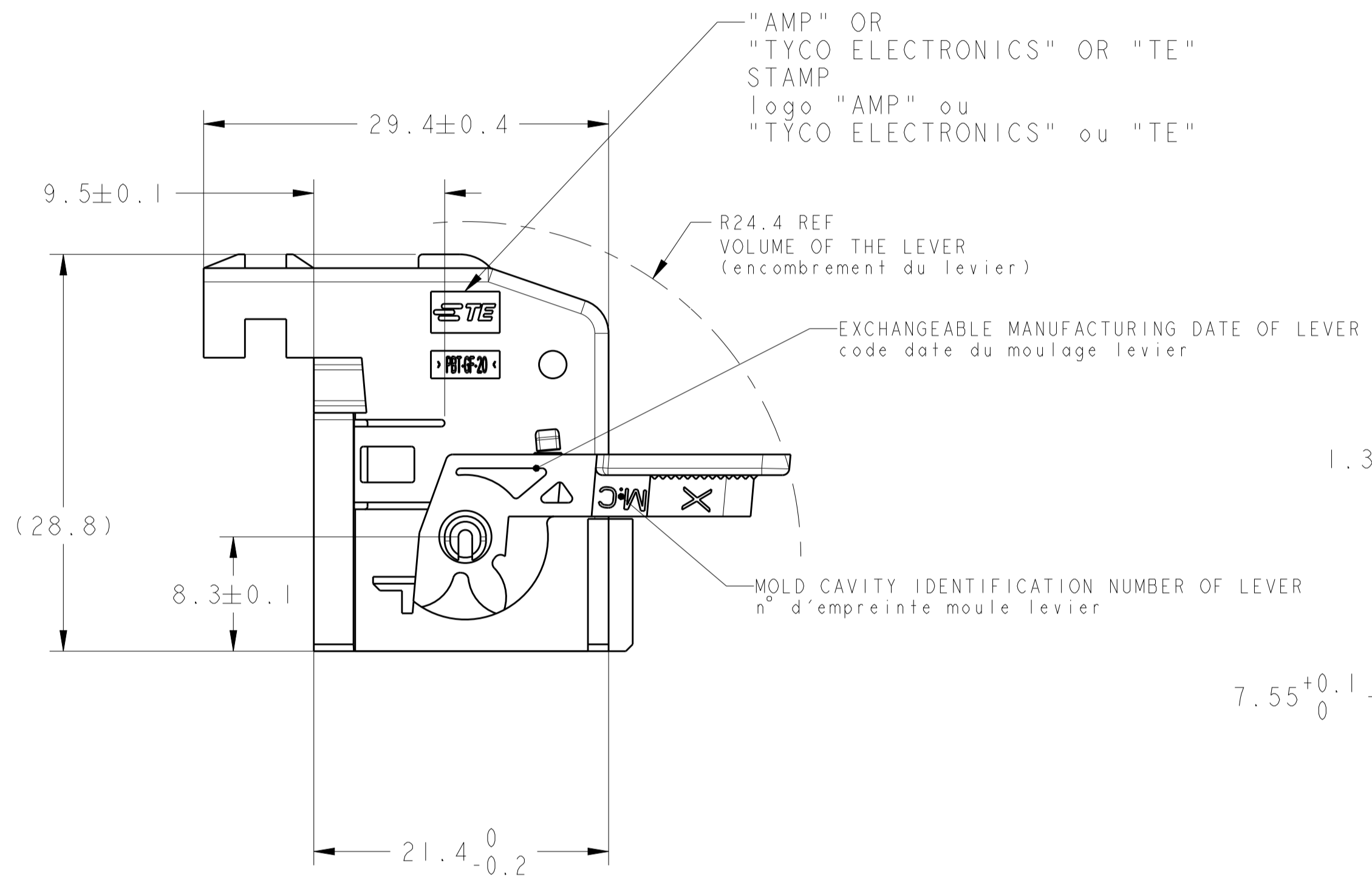
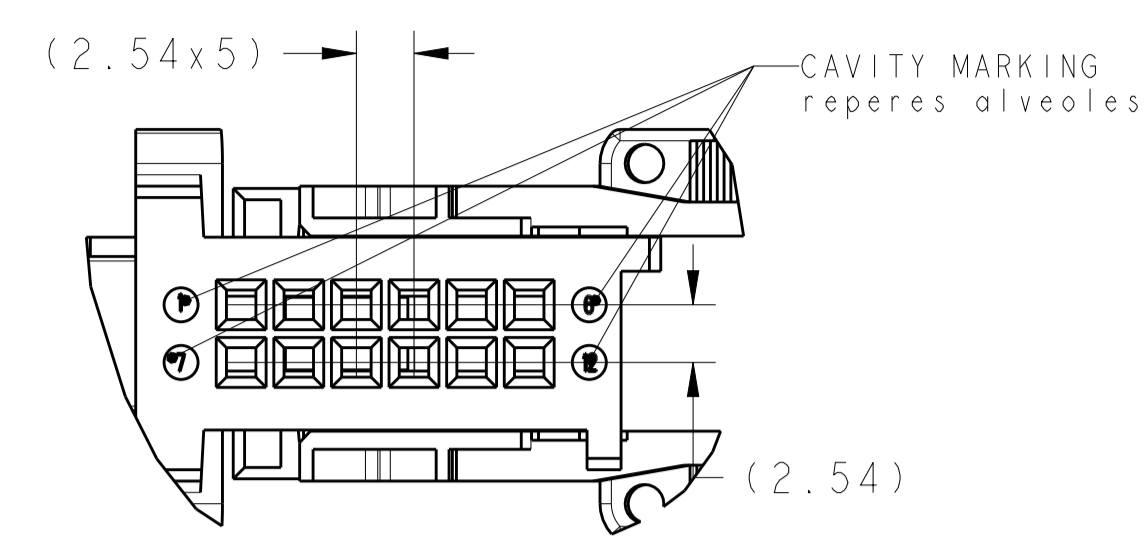
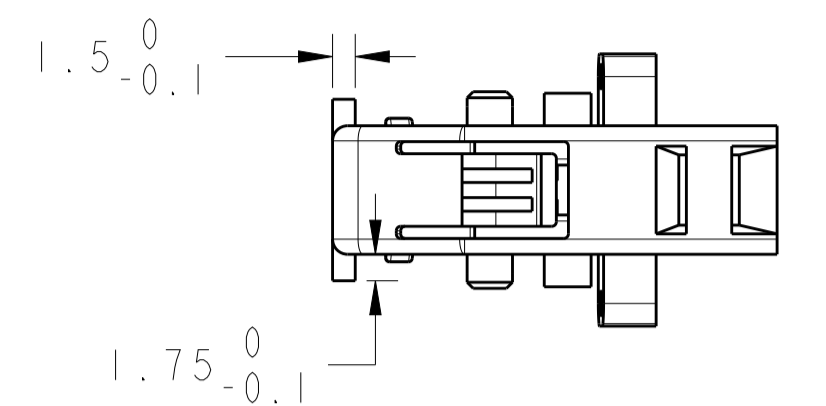
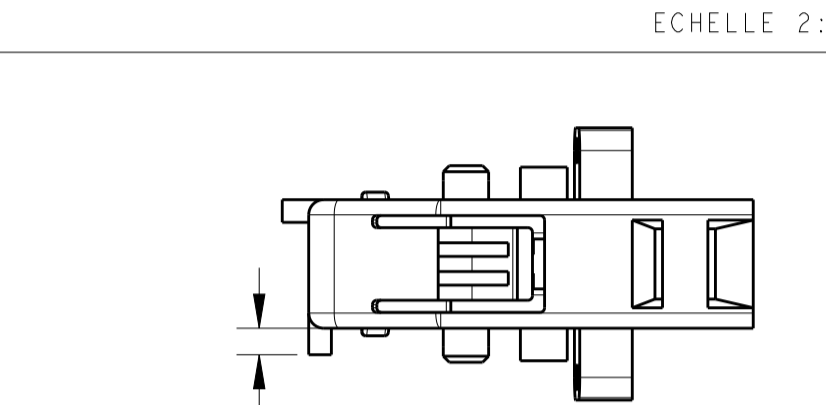
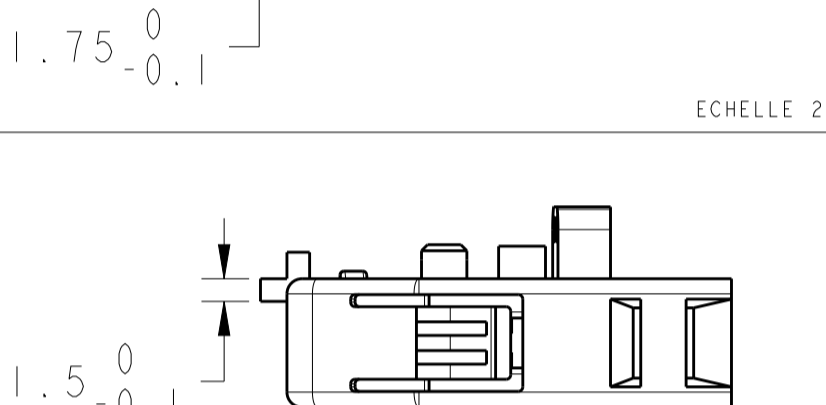
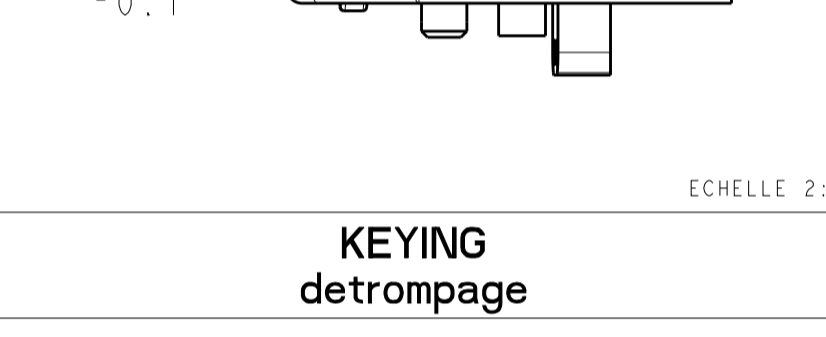

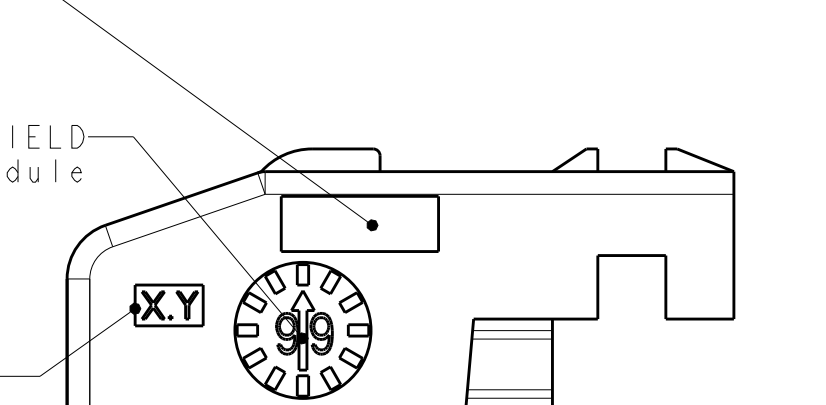


REVISIONS						
P.	LTN	REV	DESCRIPTION MODIFICATIONS	DATE	DWN. RESS.	APVD. APP.
B			ADDED PN 1379096-3 AND DIMENSION 9.5±0.1	12AUG2003	MP	XR
C			ADDED ASSEMBLY DATE CODE	13JUL2007	MP	XR
D			DIMENSION 6.8 ADDED ON TOP WITH NOTE 1	20AUG2010	EC	XR
E			UPDATED MOLD CAVITY MARKING OF COVER	08MAY2019	ASB	GKT




DESCRIPTION designation	ITEM rep.	QTTY qte	MATERIEL matiere	TE PN ref TE	COLOR couleur	KEYING detrompage
SHIELD capot	1	1	PBT GF 20% PBT FV 20%	1379096-3	BLACK noir	
LEVER levier	2	1	PBT GF 20% PBT FV 20%	1379096-3	BLACK noir	
SHIELD capot	1	1	PBT GF 20% PBT FV 20%	1379096-2	BLUE bleu	
LEVER levier	2	1	PBT GF 20% PBT FV 20%	1379096-2	BLACK noir	
SHIELD capot	1	1	PBT GF 20% PBT FV 20%	1379096-1	BROWN marron	
LEVER levier	2	1	PBT GF 20% PBT FV 20%	1379096-1	BLACK noir	

△ ALLOWED DEFORMATION 0.3MAX

ASSEMBLY DATE CODE
date code de l'assemblage
OPTIONAL

EXCHANGEABLE MANUFACTURING DATE OF SHIELD
code date du moulage porte-module

MOLD IDENTIFICATION NUMBER OF SHIELD
n° d'empreinte du moule porte-module

THIS DRAWING IS A CONTROLLED DOCUMENT. CE PLAN EST UN DOCUMENT CONTROLÉ PAR AMP INCORPORATED. IL EST SOUSCÉLÉBRÉ À L'ÉCHÉANCE DE SA DATE DE VALIDITÉ. TOUT CHANGEMENT DE TRACÉ DOIT ÊTRE ENREGISTRÉ EN DÉVIATION.		DWY/DESSINE M. POLIFONTE 07OCT99	 TE Connectivity
DIMENSIONS: mm		CHK/REVISE J. LALANGE 08OCT99	
TOLERANCES: UNLESS OTHERWISE SPECIFIED: 0 PLG/DEC: #: 1 PLG/DEC: #: 2 PLG/DEC: #0.2 3 PLG/DEC: #: 4 PLG/DEC: #: ANGLES: #°		APVD/APPROVE J. LALANGE 08OCT99	NAME SHIELD+LEVER FOR MOS 12 POS (90) ASSY GENE II -PORTE-MODULE 12 VOIES MOS (90) ASSY
MATERIAL/MATIERE SEE TABLE		PRODUCT SPEC SPEC. PRODUCT 108-15261 APPLICATION SPEC SPEC. APPLICATION 411-1565	RESTRICTED TO RESERVE A
FINISH/FINITION SEE TABLE		WEIGHT MASSE APPROX. 3.5g	SIZE FORM 1
CUSTOMER DRAWING		CAGE CODE 00779	DRAWING NO. 1379096
UNIQUEMENT POUR RÉFÉRENCE		UNIQUEMENT POUR RÉFÉRENCE	ECHELLE 3:1
SHEET 1 OF 1		FEUILLE 1 DE 1	

Mouser Electronics

Authorized Distributor

Click to View Pricing, Inventory, Delivery & Lifecycle Information:

[TE Connectivity:](#)

[1379096-2](#)